

PLAN of the MONTH...



YACHT CHAIR

MATERIAL LIST

(Maple, Birch or Oak)

Yacht chair

- 4 pcs.—1 1/8" x 2 1/2" x 27 1/4"—Legs
- 4 pcs.—1 1/8" x 2 1/2" x 19"—Side rails
- 2 pcs.—1 1/8" x 3" x 16"—Back posts
- 2 pcs.—1 1/8" x 2 1/2" x 5 3/4"—Arm stumps
- 2 pcs.—1 1/8" x 2 1/2" x 17 1/2"—Arms
- 1 pc.—10" x 25"—Back (canvas)
- 1 pc.—15 1/2" x 27"—Seat (canvas)
- 1 pc.—1" x 16 3/4"—Dowel
- 2 round-head wood screws, 3 1/2-14
- 6 oval-head wood screws, 3/4-10, and cup washers
- 4 butt hinges, 2" x 2"

Steamer chair

- 2 pcs.—1 1/8" x 6" x 45"—Sides
- 2 pcs.—1 1/8" x 2" x 39 1/2"—Sides
- 1 pc.—1" x 18"—Dowel
- 1 pc.—3/4" x 18"—Dowel
- 1 pc.—1" x 20 1/2"—Dowel
- 1 pc.—3/4" x 20 1/2"—Dowel
- 1 canvas sling, 1 1/2 yd. x 15 1/2" wide
- 2 carriage bolts, 3/8" x 3", with 4 washers
- 1 hemp rope, 1/2" dia. x 6 ft. long



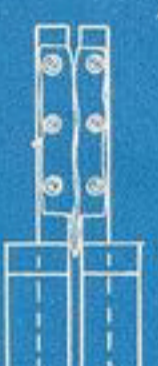
No. 4 CUT TACKS

TOP VIEW

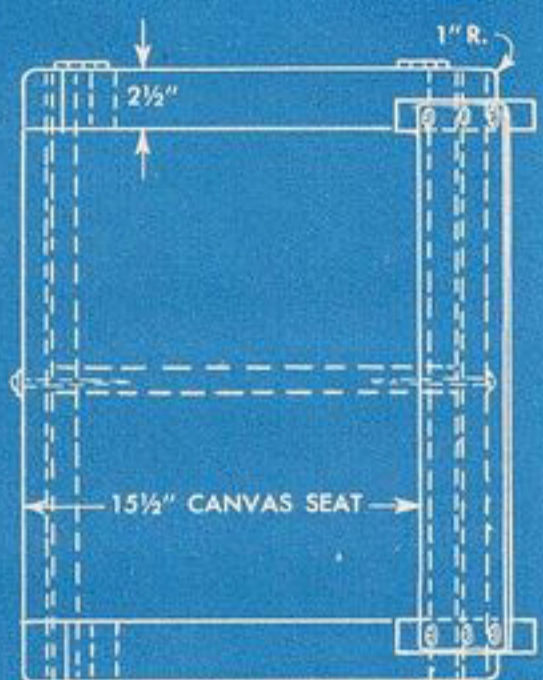
SIDE VIEW

ARM DETAIL

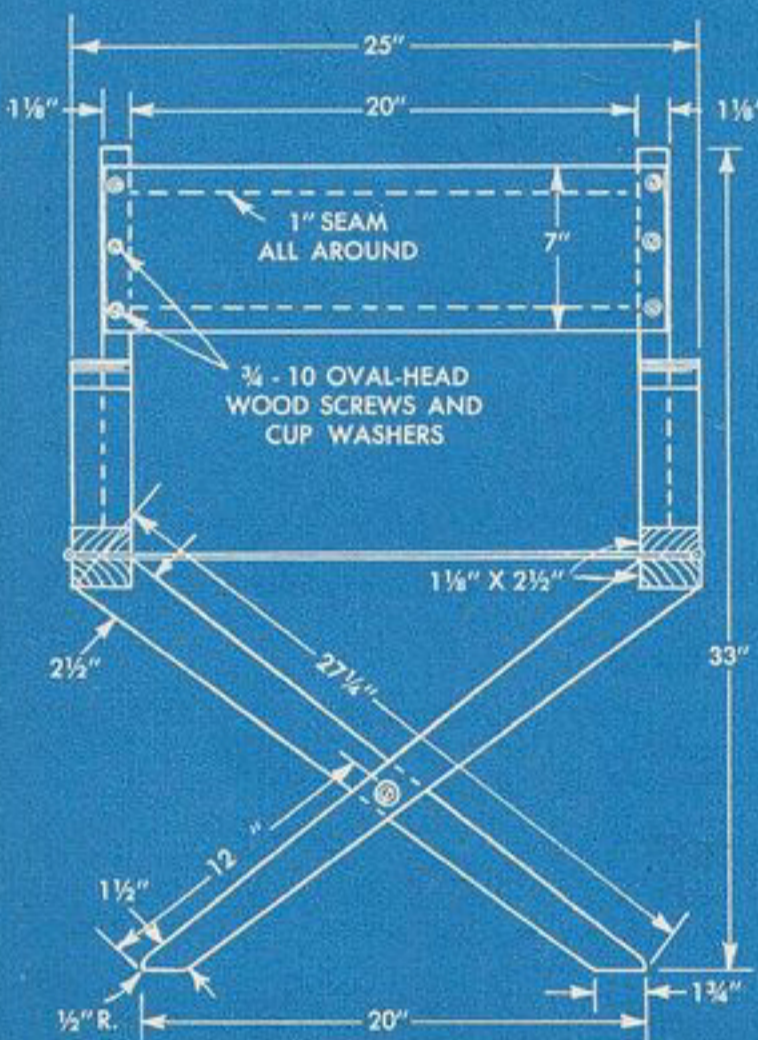
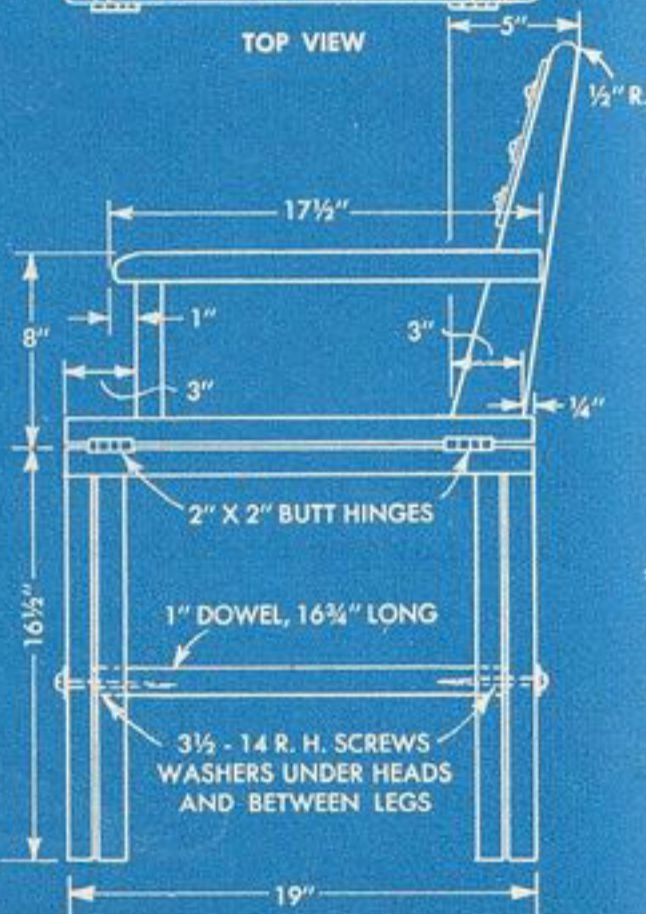
DOWEL



CHAIR IN FOLDED POSITION



TOP VIEW



1 1/8" SEAM ALL AROUND
3/4 - 10 OVAL-HEAD WOOD SCREWS AND CUP WASHERS
1 1/8" X 2 1/2"
2 1/2"
27 1/4"
33"
1 1/2"
12"
1/2" R.
20"
1 1/4"

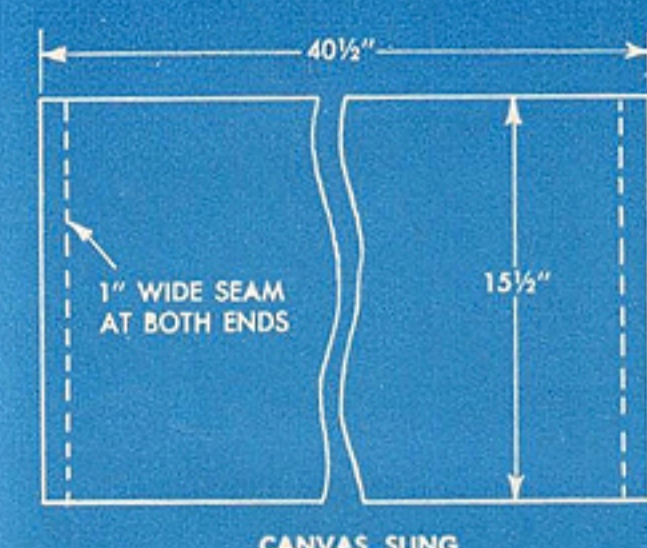
Folding Porch Chairs

John Bergen, noted furniture designer, kept the small-home owner foremost in mind when he designed these two folding porch chairs. Not like the usual bulky type which always poses storage problem, these require the very minimum of space, as they fold so compactly that they can be tucked away in a closet if necessary. Easy to carry and stow in a car, either chair will appeal to those who like to picnic or spend a day at the beach. Oak, maple and birch are recommended woods to use. Both curved legs of the steamer chair should be bandsawed and drilled together. Select a heavy-weight duck material of good quality for the seats and backs of the chairs

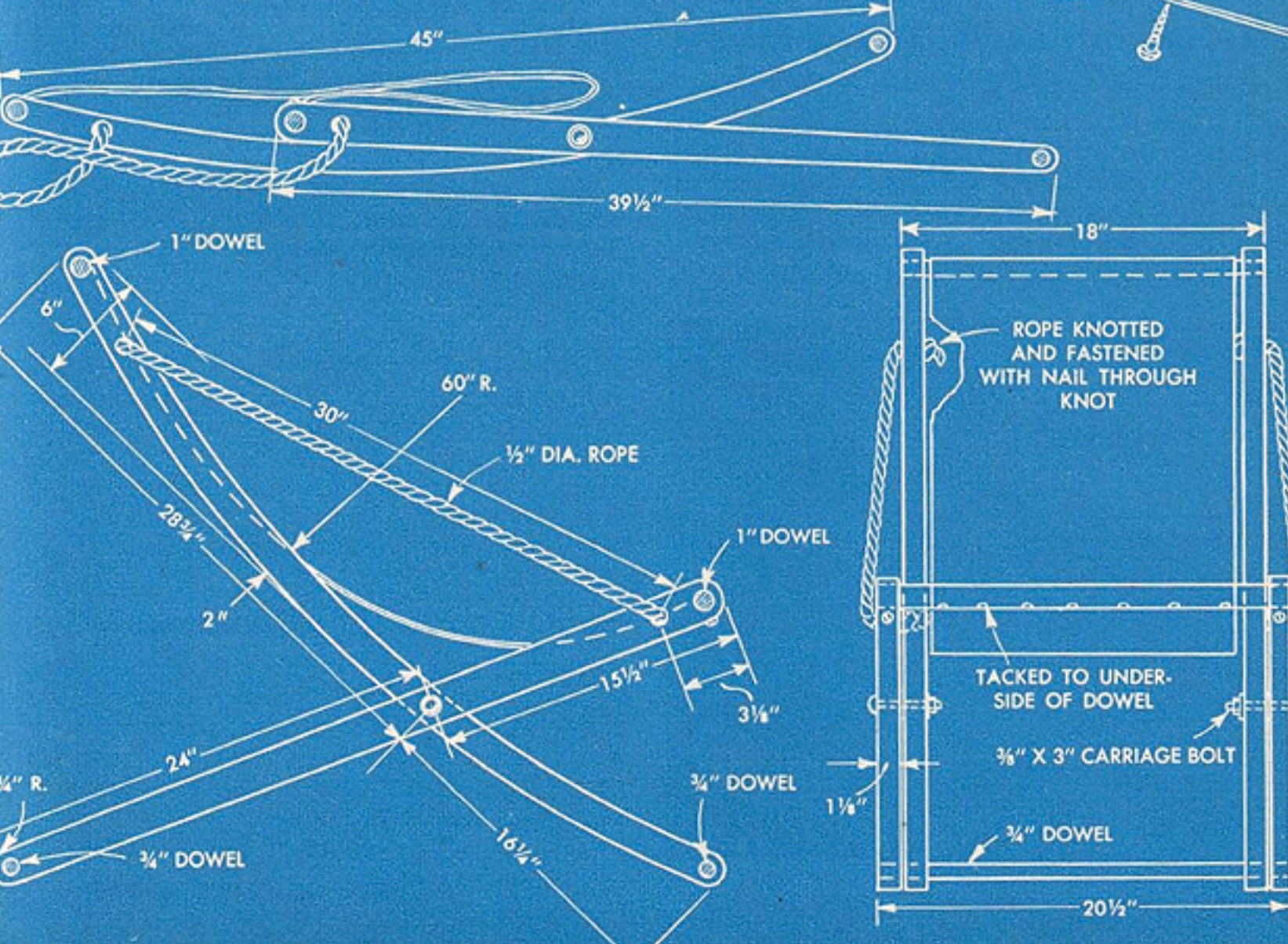


STEAMER CHAIR

No. 4 CUT TACKS



CANVAS SLING



45"
39 1/2"
1" DOWEL
6"
30"
60" R.
1/2" DIA. ROPE
28 1/4"
2"
15 1/2"
3 1/4"
3/4" R.
24"
3/4" DOWEL
16 1/2"
18"
ROPE KNOTTED AND FASTENED WITH NAIL THROUGH KNOT
TACKED TO UNDER-SIDE OF DOWEL
3/8" X 3" CARRIAGE BOLT
1 1/8"
3/4" DOWEL
20 1/2"